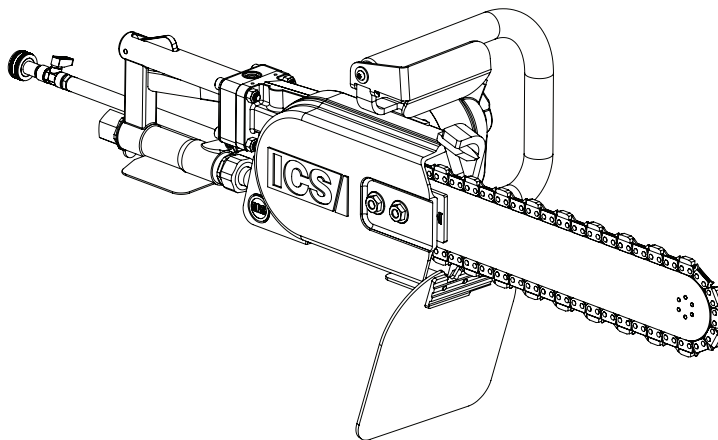


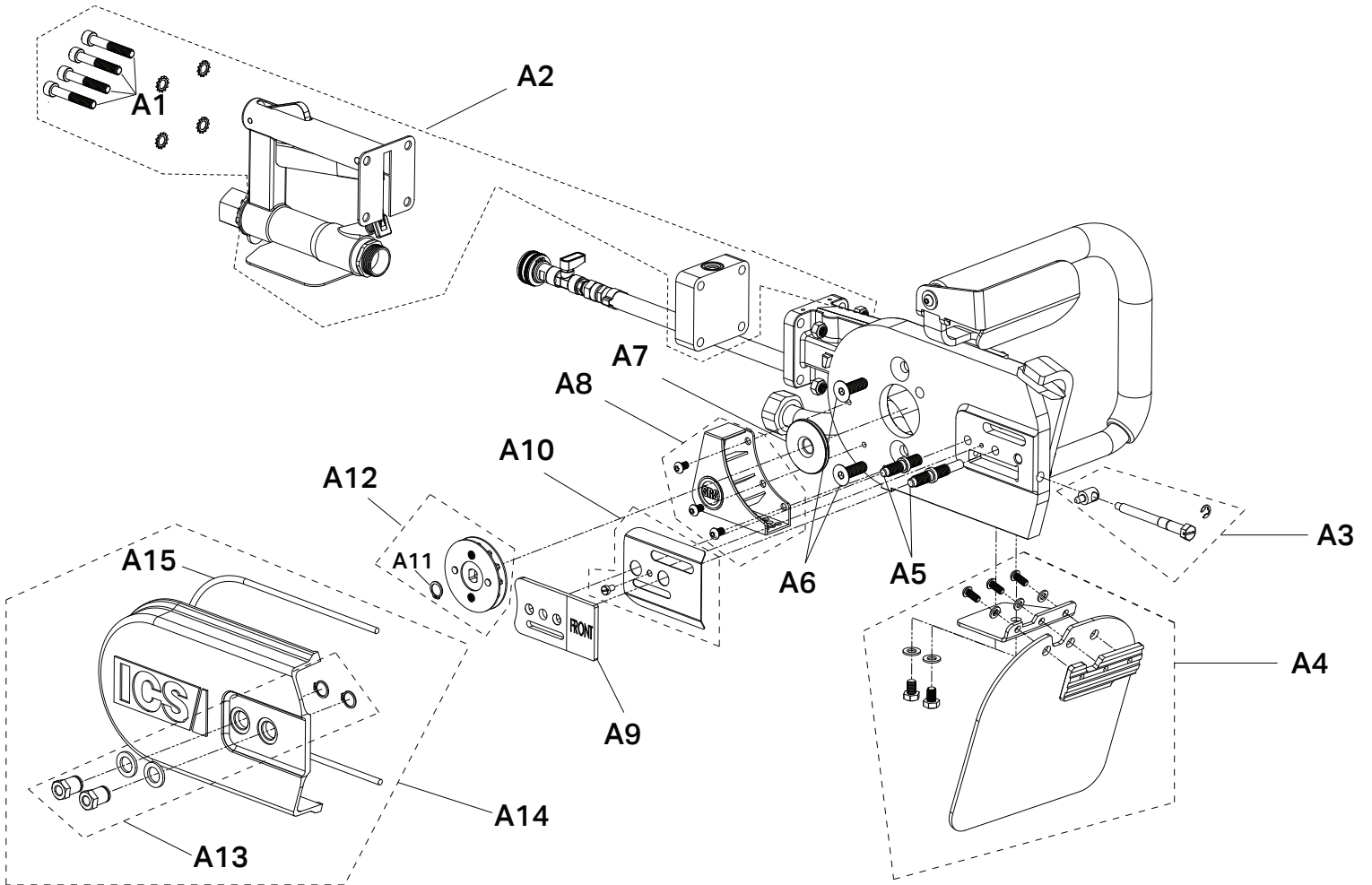


**Diamond Tools and Equipment
for Construction and Infrastructure**

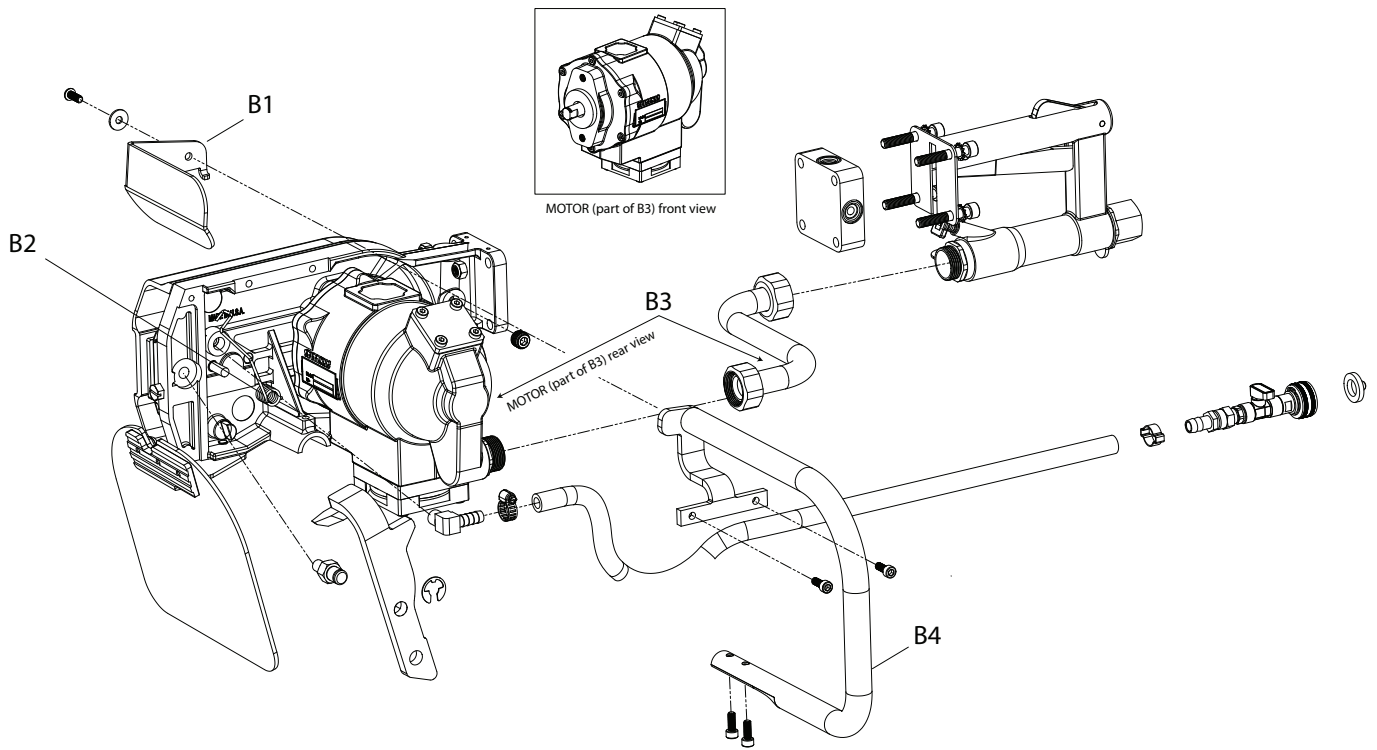
AIR POWERED CONCRETE CUTTING CHAINSAW



Model # 701-A REPLACEMENT PARTS PRICE LIST



Key #	Part No.	Description
A1	576557	Rear Handle Screw
A2	576467	Rear Handle Kit
A3	70636	Tensioner Kit
A4	576336	Mud Flap Assembly
A5	72349	Bar Mounting Studs
A6	576573	Bolt, Motor Mount
A7	528563	External Shaft Seal Kit
A8	512592	Baffle Drain Replacement Kit
A9	70628	Bar Retainer Plate
A10	70627	Bar Mount Cover Plate
A11	549796	Snap Ring
A12	565065	Drive Sprocket (includes snap ring)
A13	70639	Retaining Nut Kit (set of 2)
A14	528564	Side Cover Replacement Kit
A15	540291	Side Cover Gasket



Key #	Part No.	Description
B1	576326	Front Handle Guard
B2	70640	Torsion Spring, WallWalker®
B3	576468	Motor & Connection Tube kit (fitting included)
B4	576325	Front Handle Assembly

Part No.	Description
70619	Tensioning Scrench
575014	701-A Tune-up Kit ¹
575110	PROLUBE, ATL/AF 4 gal case
575096	Rotor with drive shaft
575097	Vane, 701-A motor
575098	End Plate, 701-A Motor Rear
575099	End Plate, 701-A Motor Front
575130	OILER, w/hose whip, 3/4 X 6 ft
576728	Coupler, 3/4 Universal Air Intake Saw End

¹Tune-up kit includes: Grooved ball bearing (2), Vane (7), O ring (4), gasket (1), pressure spring (2)

This page intentionally left blank

701A SERIES REPLACEMENT PARTS LIST

ICS, Blount Inc.
Rue Emile Francqui 5
1435 Mont-Saint-Guibert, Belgium
Tel +49 (0)7071 970450 Fax +32 10 301 259
icsdiamondtools.com