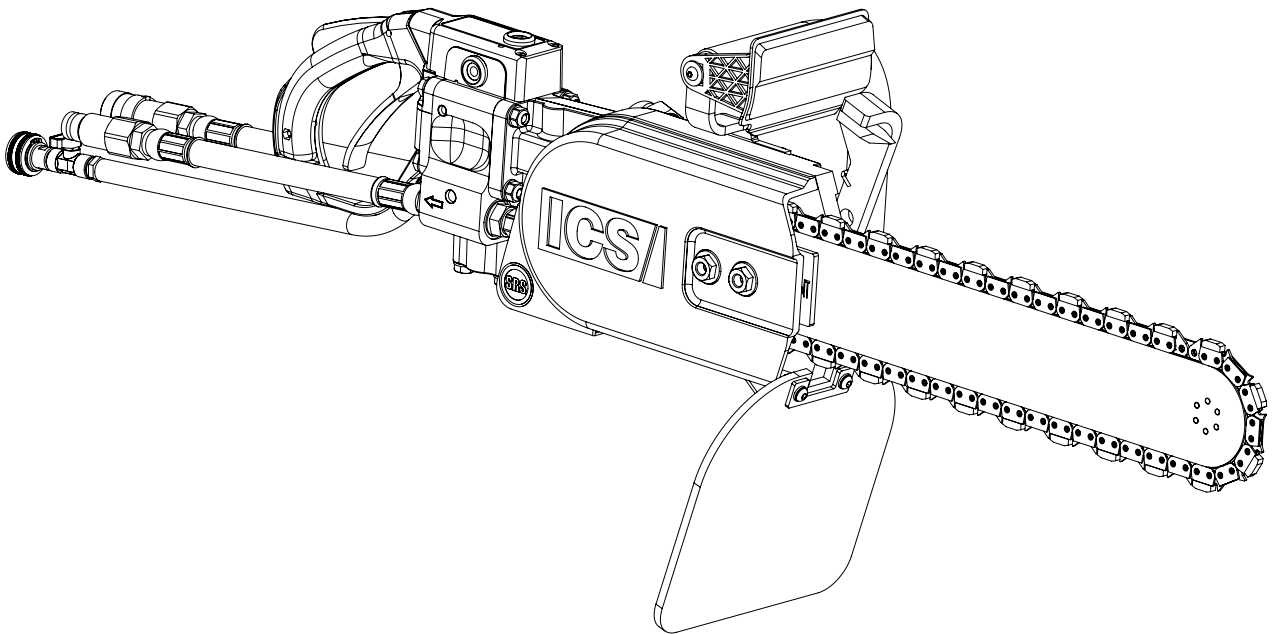




**Diamond Tools and Equipment
for Construction and Infrastructure**

Replacement Parts & Accessories Price List



880/890 Series Hydraulic Concrete Saw

Effective January 1, 2021

TABLE OF CONTENTS

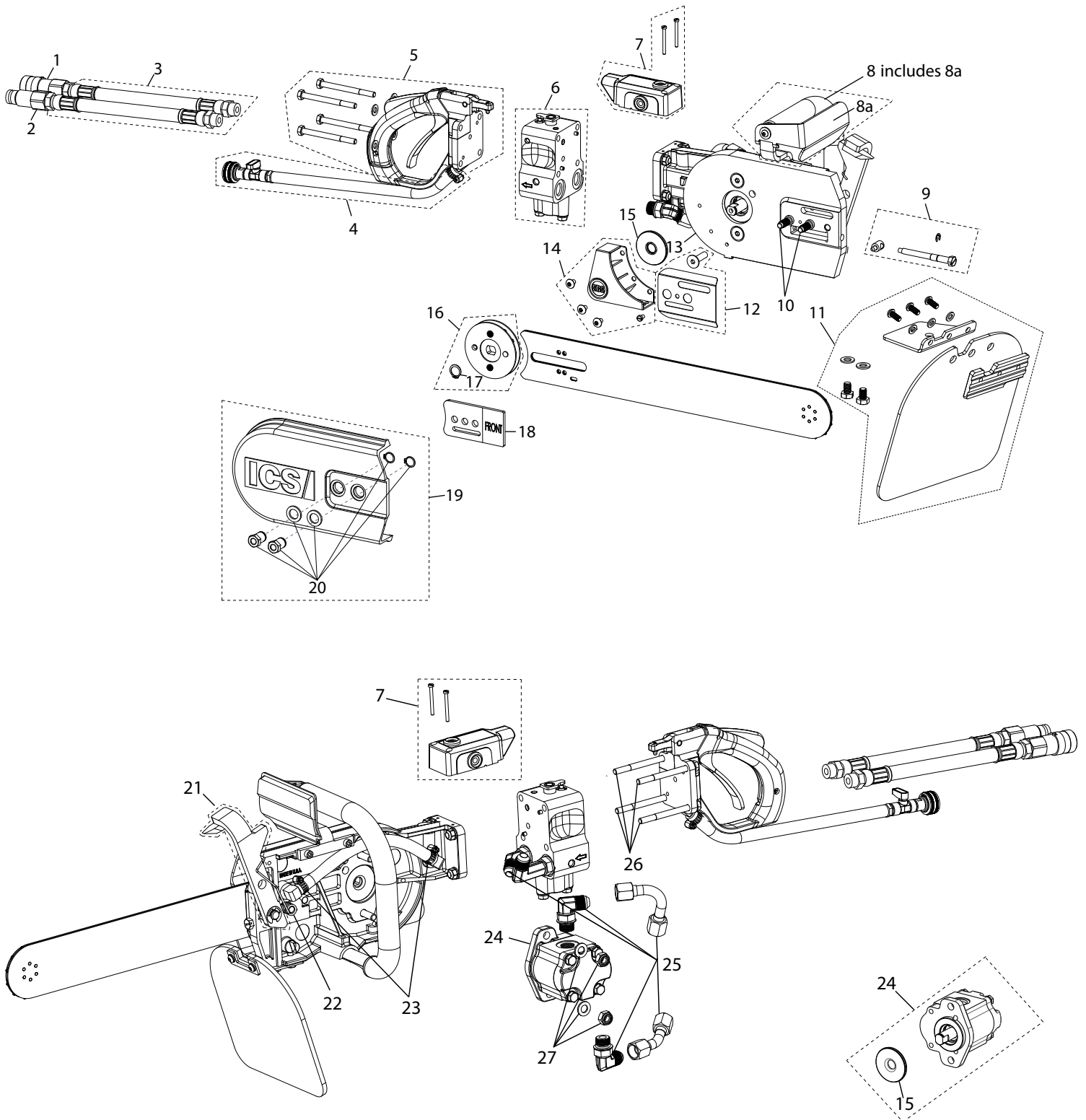
880/890 Series Hydraulic Concrete Saw

ITEM DESCRIPTION	PAGE
880/890 Series Hydraulic Saw Service Parts & Kits	2
880/890 Series Hydraulic Saw Assembly	3 - 4

SERVICE PARTS & KITS

880/890 Series Hydraulic Concrete Saw

Part No.	Description
70619	880/890 Series Tensioning Screws, Hydraulic Saws
71526	880/890 Series Hydraulic Valve Spool Kit
72296	880/890 Series Hydraulic Valve Seal Kit
72347	880/890 Series Hydraulic Trigger Lock-Out Spring & Pin Kit
506026	880/890 Series Hydraulic Trigger & Lock-Out Kit
507407	880/890 Series Hydraulic Front Handle Fastener Kit
518869	880/890 Series Hydraulic Water Valve Kit, includes clip, plunger, spring, ball & water bridge spindle
564961	880/890 Series Motor Conversion Kit 8 gpm (30 lpm) - includes drive sprocket/motor bolts
564960	880/890 Series Motor Conversion Kit 12 gpm (45 lpm) - includes drive sprocket/motor bolts
528594	880/890 Series Motor Seal Kit
564923	880/890 Series Shaft Conversion/Replacement Kit 8 gpm (30 lpm)
564924	880/890 Series Shaft Conversion/Replacement Kit 12 gpm (45 lpm)
540291	880/890 Series Side Cover Gasket
72342	880/890 Series Hydraulic Motor Bolt Kit
72344	880/890 Series Valve Bolt Kit
566059	880/890 Series Water Shut-off Valve Kit



Key #	Part No.	Description
1	71916	880/890 Series QD, Female, with O-Ring, Kit (hose not included)
2	71917	QD Male with O-Ring (hose not included)
3	70629	880/890 Series Hydraulic Pigtail Kit 1' hoses (set of 2 hoses, QD's included)
3	566556	880/890 Series Hydraulic Hose Whip 8' (one hose only, does not include Quick Disconnects) Not shown
4	566059	880/890 Series Water Shut-off Valve Kit
5	565316	880/890 Series Rear-Handle Replacement Kit
6	528553	880/890 Series Hydraulic Valve Replacement
7	565317	880/890 Series Valve Cover Kit with levels, Black
8	71153	880/890 Series Front Handle Kit (includes 8a) - 8gpm (30 lpm)
8a	74586	880/890 Series Front Hand guard Kit - 8 gpm (30 lpm)
8	71536	880/890 Series Front Handle Kit (includes 8a) - 12gpm (45 lpm)
8a	517874	880/890 Series Front Hand guard Kit - 12 gpm (45 lpm)
9	70636	880/890 Series Tensioner Kit
10	72349	880/890 Series Series Bar Mounting Studs
11	576336	880/890 Series Series Mud Flap Assembly
12	70627	880/890 Series Bar Mount Cover Plate
13	528562	880/890 Series Main Frame
14	512592	Baffle Drain Replacement Kit
15	528563	880/890 Series External Shaft Seal Kit
16	565065	880/890 Series Drive Sprocket (includes snap ring)
17	549796	880/890 Series Snap Ring Kt
18	70628	880/890 Series Bar Retaining Plate
19	528564	880/890 Series Side Cover Replacement Kit
20	70639	880/890 Series Cover Retaining Nuts (set of 2)
21	70641	880/890 Series WallWalker Replacement Kit
22	70640	880/890 Series WallWalker Spring
23	72346	Front Water Hose Kit
24	564962	880/890 Series Hydraulic Motor Replacement Kit - 8 gpm (30 lpm)
24	564983	880/890 Series Hydraulic Motor Replacement Kit - 12 gpm (45 lpm)
25	532400	8880/90 Series Hydraulic Plumbing Replacement Kit
26	72344	880/890 Series Valve Bolt Kit
27	72342	880/890 Series Motor bolt kit (x2)

880/890 Series Replacement Parts & Accessories Price List

**ICS, Blount Europe, SA
Rue Emile Francqui, 5
1435 Mont-Saint-Guibert, Belgium
Tel +32 10 301 251 Fax +32 10 301 259
icsdiamondtools.com**